

# SERVICE INSTRUCTIONS

Part No. 037379

www.keatingofchicago.com

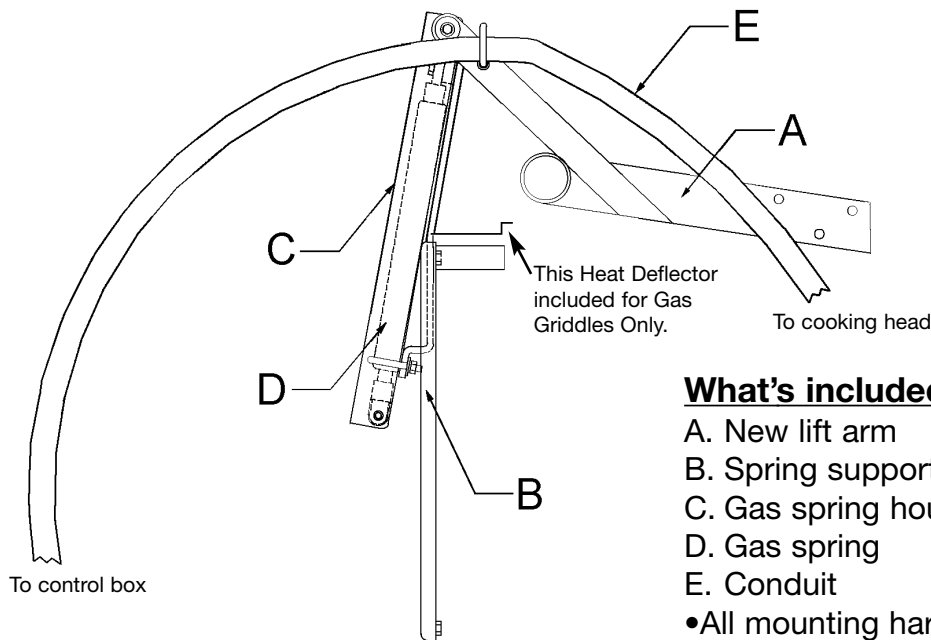
**KEATING**  
OF CHICAGO, INC. ®

1-800-KEATING

## Instructions for Replacing Top Side Cooker Lifting System

If manufactured prior to March 1999

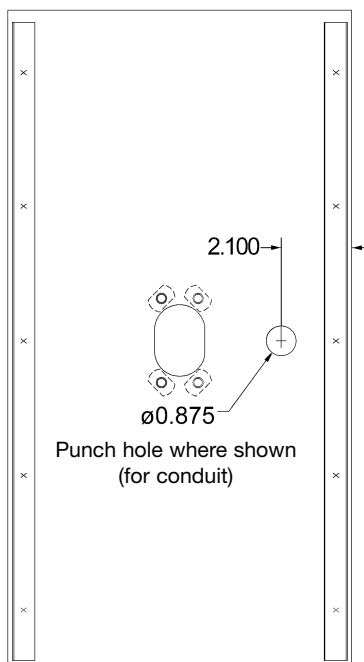
(Gas Griddle) Part No. 054517 & (Electric Griddle) Part No. 054516



### What's included in your package?

- A. New lift arm
- B. Spring support
- C. Gas spring housing
- D. Gas spring
- E. Conduit
- All mounting hardware

### Top Side Cooking Head Cover



### Installation Instructions

1. Take off the Top Side head from the lifting arm by pulling out the pin connecting them.
2. Compare the wires from the new wire harness with the wires connected to the head (they will need to be replaced later).
3. Cut the existing wires.
4. Take off the cover shown unscrewing the screws on all 4 sides (18 total).
5. Punch 0.875" diameter hole (where shown).
6. Install the conduit and connect the wires on the cooking head end.
7. Open the control box and replace the old wires with the wires from the new conduit.
8. Close the Top Side head cover and reinstall all screws.
9. Replace old lifting system with the new one.  
**NOTE:** The new lifting system mounting holes mate with the holes in the rear of the griddle cabinet.
10. Connect the Top Side head to the lift arm by reinserting the pin.