

"Serving Those Who Serve The Very Best"®

- **87,000 BTU input for cooking up to 72 lbs. of frozen french fries per hour**
- **Instant Recovery® Fryer now even more efficient using less energy with our newly patented Wing Turbulators®**
- **Stainless Steel cabinet**
- **Polished Stainless Steel drawn pot with seamless coved corners uses 24% less oil**
- **Cold Zone 27% of fryer vessel**
- **Saves valuable space without sacrificing production**
- **Save on oil costs/cooks at lower temperatures**
- **No electrical connections required.**

The 14 Counter Model Fryer requires no electrical connections and is ideal for use in remote locations. The 14 Counter Model allows you to cook up to 72 lbs. of frozen french fries per hour with an input of 87,000 BTU.

KEATING SAVES OIL COSTS IN THREE WAYS:
BETTER FRY POT DESIGN
LARGER COLD ZONE
INSTANT RECOVERY®

1. The seamless coved corners of the deep drawn frying vessel with built-in heat transfer tubes requires 24% less oil while giving the production of a 50 lb. fryer.
2. The Keating frying vessel is 27% Cold Zone, the food particles collected in the cold zone are unheated and therefore do not carbonize and contribute to premature shortening breakdown.



3. Keating's INSTANT RECOVERY® feature means frying at lower temperatures (325° – 335°F) extending oil life while enhancing product quality.

EASY TO CLEAN

Keating uses only 304 stainless steel in its frying vessel design and polishes each vessel. The smoother the surface, the less carbon build-up occurs, making cleaning easier. A full one inch front drain allows easy draining of oil.

SAFETY CONTROLS ENSURE SAFE AND ACCURATE COOKING

The patented and precise thermostat controls cooking temperatures to ± 3°F. Hi-Limit control protects against the oil and fryer overheating. Each fryer goes through a rigorous 100% test before shipping with every component carefully checked. The actual temperature test chart is included with each fryer.

SPECIAL ORDER OPTIONS

Keating gives you the widest range of options to ensure your fryer is exactly suited to your needs.

DESCRIPTION

The Keating Instant Recovery® Counter Model Fryer consists of a frying vessel 14" sq., having a splash deck and a splash back installed in a cabinet equipped with gas burners and an automatic temperature control mechanism, all arranged and designed for the proper frying of food.

SPECIFICATIONS

Frying Vessel: shall have coved seamless corners and be drawn from 18 gauge stainless steel, shall have a shortening capacity of 38 pounds, shall be equipped with three 18 gauge horizontal heat transfer tubes spaced above the bottom of the vessel so that the bottom is unheated and the food particles collecting in this bottom zone are unheated and therefore do not carbonize. The frying vessel shall be polished to inhibit carbon build-up and facilitate waxy clean-up. The heat transfer tubes shall be 3" wide and 5" high. The bottom of the vessel shall slope toward the front where it shall be equipped with a 1" Teflon core ¼ turn, drain valve, so arranged that the shortening can be drained into a receiving vessel placed in front of the fryer.

Splashdeck shall slope toward the shortening containing vessel. **The splash deck shall be made of 16 gauge 304 stainless steel.**

Splashback shall be made of 18 gauge 304 stainless steel, shall completely cover the sides of the flue.

Cabinet: shall be made of 18 gauge stainless steel. The cabinet shall be rigid in construction and shall have four 4" adjustable legs. A door made of 22 gauge 304 stainless steel shall cover the

front of the cabinet and shall extend from the bottom of the fryer to the panel, and above the panel shall be a canopy. The door shall be the full width of the cabinet. No additional space is required for the door to open a full 90 degrees. A stainless steel flue deflector is provided for installing onto the flue back.

Heat Transfer Tubes to be three, made of stainless steel polished to a #7 mirror finish.

Thermostat shall be close range, hydraulic type and be accurate to ±3°F from 300° to 350°F with stainless steel bulb. Application of this thermostat is patented by Keating.

Hi-Limit Control shall be manually resettable type with stainless steel bulb.

100% Safety Shut Off shall be millivolt type with combination control gas valve and thermopile.

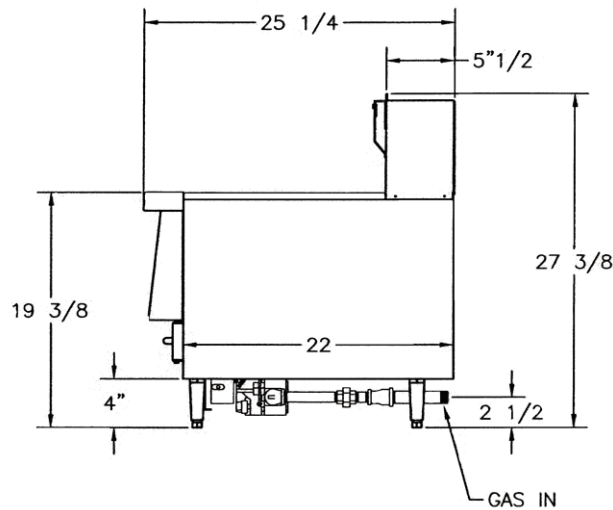
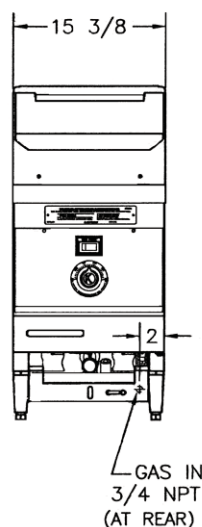
Standard Accessories to include one pair 4 mesh baskets, grid screen over heat transfer tubes, drain clean out rod, 1"×11½" drain extension and sample of Keating Klenzer and Sea Powder.

Electric Requirements are not necessary.

Gas Requirements to install are ¾" male NPT connection and 4" water column pressures natural and 10" for LP gas at the fryer burner manifold. Supply pressure to fryers must be 7" (natural gas) and 11" (LP) water column.

Special Order Options may include cover, triple size baskets, thermostat seal, portable filter, security package.

Model No. and Description	Oil Capacity	BTU Input	Working Height	Overall Height	Depth	Width	Ship Wt.
14 CMG Nat Gas	38 lbs.	87,000	19 ¾"	27 ¾"	27 ½"	15 ¾"	140 lbs.
14 CMG LP Gas	38 lbs.	90,000	19 ¾"	27 ¾"	27 ½"	15 ¾"	140 lbs.



KEATING OF CHICAGO, INC.
Toll Free 1-800-KEATING
www.keatingofchicago.com

As continuous product improvement occurs, specifications may be changed without notice.